

4 by 4 Hybrid Matrix

698-3800MHz

300 Watts Power Handling

Model Number: MTX-4X4-698-3800-300



Main Features:

- Hybrid Type device with low insertion loss
- Supporting all wireless air protocols includes advanced LTE & 5G
- Very Wide band frequency range 700-3800MHz
- High Isolation with min 30dB across the band
- Very Low Passive Intermodulation (PIM) of -161dBc
- Handling Power of 300 watts per port
- Easy installation with 4.3-10 female or DIN connectors
- Exceptional reliability and environmental protection

Introduction

The EMTS Telecom Services Ltd. 4 x4 matrix model MTX-4X4-698-3800-300 is an ultra-wide band high performance, high power '4 by 4' Hybrid Matrix that use to combine BTS. The usage of high-performance hybrid reduces the in band passive inter-modulation products and minimize the interference. Its high isolation level between ports ensures interference-free environment for any technology deployed.

The EMTS innovative hybrid design provides a very low insertion loss while keeping the product extremely compact and lightweight. Its high Return Loss makes the introduction of the device transparent to the BTS. The very high isolation and very low PIM makes the 4x4 matrix also suitable for LTE advanced networks among all other wireless air protocols. The unit is designed to withstand the most severe outdoor environments and can handle up to 300 watts CW per port.



EMTS Telecom Services Ltd. offers a comprehensive portfolio of enhanced coverage solutions for the Wireless Networks, Based on advanced technologies. **EMTS** proven, indoor and outdoor solutions solve a wide range of network challenges including interference and oscillation problems, challenging coverage holes, rapid response deployment and inadequate in-building coverage. Regardless of the technology or frequency, **EMTS** can provide customized coverage solutions that address any combination of unique and complex network needs for the Wireless Networks.

Technical Specifications:

1. Radio Specifications

Frequency Range (MHz)	698 to 3800
VSWR	< 1.25
Coupling	6.1dB±1dB
Isolation	30dB typical , 28dB minimum
PIM (typ)	≤-161dBc @2×43dBm
Impedance	50Ω
Power Handling	300W Per Port 1500W Peak

2. Environmental Specifications

Envrinmental	ETS 3000 019
Temperature Range	-35 to +70 ° C
Humidity	0 - 99%
Application	Indoor or Outdoor, IP65

3. Mechanical Specifications

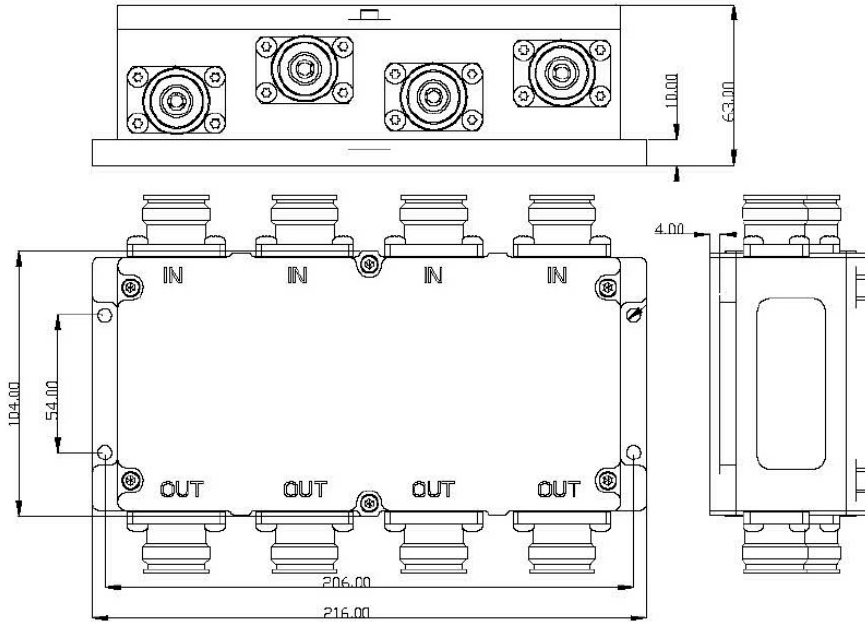
Connectors	DIN or 4.3-10 Female Connectors
Mounting Options	Mounting Holes
Color	Cavity aluminum silver plated Connector :Cooper
Size/Dimensions	216 * 104 * 63mm
Weight	5Kg



EMTS Telecom Services is a leading supplier of high-quality RF coverage solutions designed to maximize wireless network coverage in difficult RF environments and complex settings. The company specializes in extending RF radio coverage to rural areas, office buildings, subways, tunnels and shadowed areas. The EMTS coverage solution supports all major mobile technologies and standards of wireless Networks.

All rights reserved

Outline Drawings

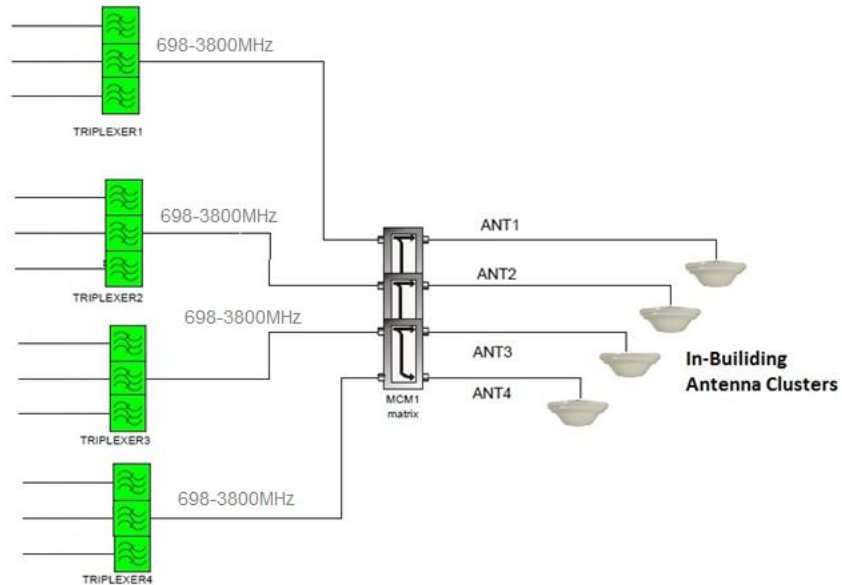


(4.3-10 female)



EMTS Telecom Services Ltd. offers a comprehensive portfolio of enhanced coverage solutions for the Wireless Networks, Based on advanced technologies. **EMTS** proven, indoor and outdoor solutions solve a wide range of network challenges including interference and oscillation problems, challenging coverage holes, rapid response deployment and inadequate in-building coverage. Regardless of the technology or frequency, **EMTS** can provide customized coverage solutions that address any combination of unique and complex network needs for the Wireless Networks.

Typical Application
Combining 4 different mobile carriers into same indoor Passive DAS



- Each ANT output usually feeds 20-50 in-building antennas depending on the RF planning
- The above frequency bands are for an example only. Any combination of bands can be combined to feed the matrix & each Input can be with a different frequency band



EMTS Telecom Services is a leading supplier of high-quality RF coverage solutions designed to maximize wireless network coverage in difficult RF environments and complex settings. The company specializes in extending RF radio coverage to rural areas, office buildings, subways, tunnels and shadowed areas. The EMTS coverage solution supports all major mobile technologies and standards of wireless Networks.

All rights reserved