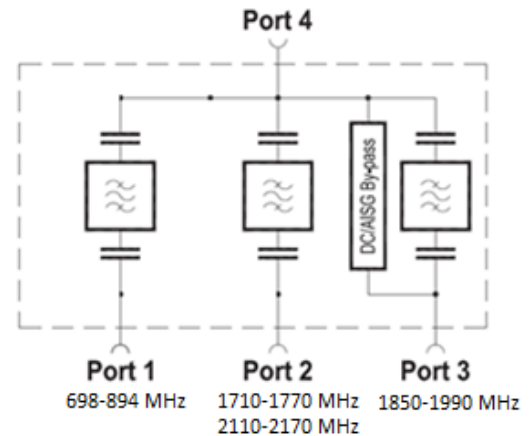


Triple Band Combiner (CBC) Dual Triplexer Unit LTE 700 AWS 1700 PCS 1900

Model Number: TB-X-CBC-7-17-19



Main Features & Benefits:

- Cavity Design, designed for co-siting purposes, Supports DC/AISG Bypass.
- Available as a single unit for DAS, or a dual unit to support BTS tower structure.
- High Isolation - Can be used as a combiner near the BTS or in a reciprocal function near the antenna, enables feeder sharing, supporting antenna diversity.
- Very Low Passive Intermodulation(PIM) with Extremely low insertion loss.
- High out of band rejection level, Supports GSM, LTE, WCDMA
- Compact design, Easy installation, Built-in lightning protection
- IP66 enclosure - Suitable for indoor or outdoor applications, Wall or mast mounting, Exceptional reliability and environmental protection.

Introduction

EMTS Telecom Services Ltd. Dual Triplexer model DB-CBC-9-18-21 is a high performance Cross Band Coupler (CBC) that use to combine BTS to a single antenna. The use of highly selective filters reduces the out of band inter-modulation products and minimize the interference to neighboring cells, high isolation level between ensuring an interference-free environment for any technology deployed. The EMTS innovative cavity filter design provides a very low insertion loss while keeping the product extremely compact and lightweight, Return Loss of more than 18dB makes the introduction of the device transparent to the BTS. The unit is designed to withstand the most severe outdoor environments. It's also features IP65 class protection to avoid any possible effects of condensation and pressure instability. Diplexers are unquestionably EMTS's core product line with success of designing features as high selectivity, high channel to channel isolation and extremely low insertion loss.



EMTS Telecom Services Ltd. offers a comprehensive portfolio of enhanced coverage solutions for the Wireless Networks, Based on advanced technologies. **EMTS** proven, indoor and outdoor solutions solve a wide range of network challenges including interference and oscillation problems, challenging coverage holes, rapid response deployment and inadequate in-building coverage. Regardless of the technology or frequency, **EMTS** can provide customized coverage solutions that address any combination of unique and complex network needs for the Wireless Networks.

Technical Specifications - Triple-band dual unit

Radio Specifications			
Frequency Band	Port1: 698-894 (MHz)	Port2: 1710-1170 (MHz) 2110-2170 (MHz)	Port3: 1850-1990 (MHz)
Insertion Loss	<0.2 dB	<1 dB	<0.8 dB
Isolation	>70dB@CH2 >70dB@CH3	>70dB@CH1 >70dB@CH3	>70dB@CH1 >70dB@CH2
VSWR	<1.25		
PIM (IM3)	<-160 dBc@+2x43dBm		
Input power (W) Port 1 / Port 2 / Port 3	250 Watts per port		
DC/AISG transparency Port 3 to Port 4	2.5 A max		
Mechanical Specification			
Impedance	50Ω		
Connector	DIN-Female (long neck)		
Size (LxWxH) Dual Branch type	300 x 250 x 120 mm		
Color	Soft Grayish		
Weight	<10 Kg		
Mounting Options	Pole & Wall		
Environmental Specification			
Application	Indoor/Outdoor		
Application	IP66		
Lightning protection	3 kA, 10/350 us pulse		
Temp.	-55 to +60°C		
Relative humidity	0-95%		

Ordering Information

Use Model No: TB-X-CBC-7-17-19

X = 1 for single branch X=2 for dual branch



About EMTS Telecom Services Ltd.:

EMTS is a leading supplier of high-quality RF coverage solutions designed to maximize wireless network coverage in difficult RF environments and complex settings. The company specializes in extending RF radio coverage to rural areas, office buildings, subways, tunnels and shadowed areas. The EMTS coverage solution supports all major mobile technologies and standards of wireless Networks.

All rights reserved

Note: All specifications subject to change without notice.