

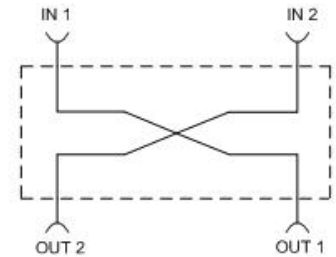
Hybrid Combiner 2x2

Model Number: HC-2700-2x2-AY



Main Features & Benefits:

- **Device Type Hybrid**
- **Wide frequency range from 698 to 2700MHz**
- **High Isolation**
- **Extremely low insertion loss**
- **Very Low Passive Intermodulation of -160dBc**
- **High Handling Power of 500 watts**
- **Compact design, easy installation**
- **IP65 enclosure**
- **Exceptional reliability and environmental protection**



Introduction

EMTS Telecom Services Ltd. Hybrid combiner (2x2 Matrix) model HC-2700-2x2-AY is a high performance high power '2 by 2' Hybrid Combiner that use to combine BTS. The usage of high performance hybrid reduces the in band passive inter-modulation products and minimize the interference, a high isolation level between ensuring an interference-free environment for any technology deployed.

The EMTS hybrid design provides a very low insertion loss while keeping the product extremely compact and lightweight, Return Loss of more than 18dB makes the introduction of the device transparent to the BTS. The unit is designed to withstand the most severe outdoor environments. The unit is designed in a IP65 class enclosure to allow indoor & ourtood instalations.



EMTS Telecom Services Ltd. offers a comprehensive portfolio of enhanced coverage solutions for the Wireless Networks, Based on advanced technologies. EMTS proven, indoor and outdoor solutions solve a wide range of network challenges including interference and oscillation problems, challenging coverage holes, rapid response deployment and inadequate in-building coverage. Regardless of the technology or frequency, EMTS can provide customized coverage solutions that address any combination of unique and complex network needs for the Wireless Networks.

Technical Specifications:

Frequency range (MHz)	698-2700
Insertion Loss	0.45 dB maximum
Ripple	0.5 dB maximum
Isolation	27 dB MHz minimum
VSWR	≤1.25
Phase shift	0, 90 degrees
PIM(dBc)	- 160 dBc @ 2x+43dBm
Impedance	50Ω
Handling Power	500 W
Handling Peak Power	1KW
Operating Temperature	-30 to +75 °C
Standard	Outdoor use, IP65
Installation	Mountain hole option
Connector Type	DIN-Female (Optional N-Type Female)
Dimension	190 x42 x39 (mm) DIN Type
Input Ports	2
Output Ports	2
Inner contact Plating	Silver
RoHS	2011/65/EU

Ordering information:

Model Number:HC-2700-2X2-AY

Y = N for N type connector type

Y = D for DIN connector type

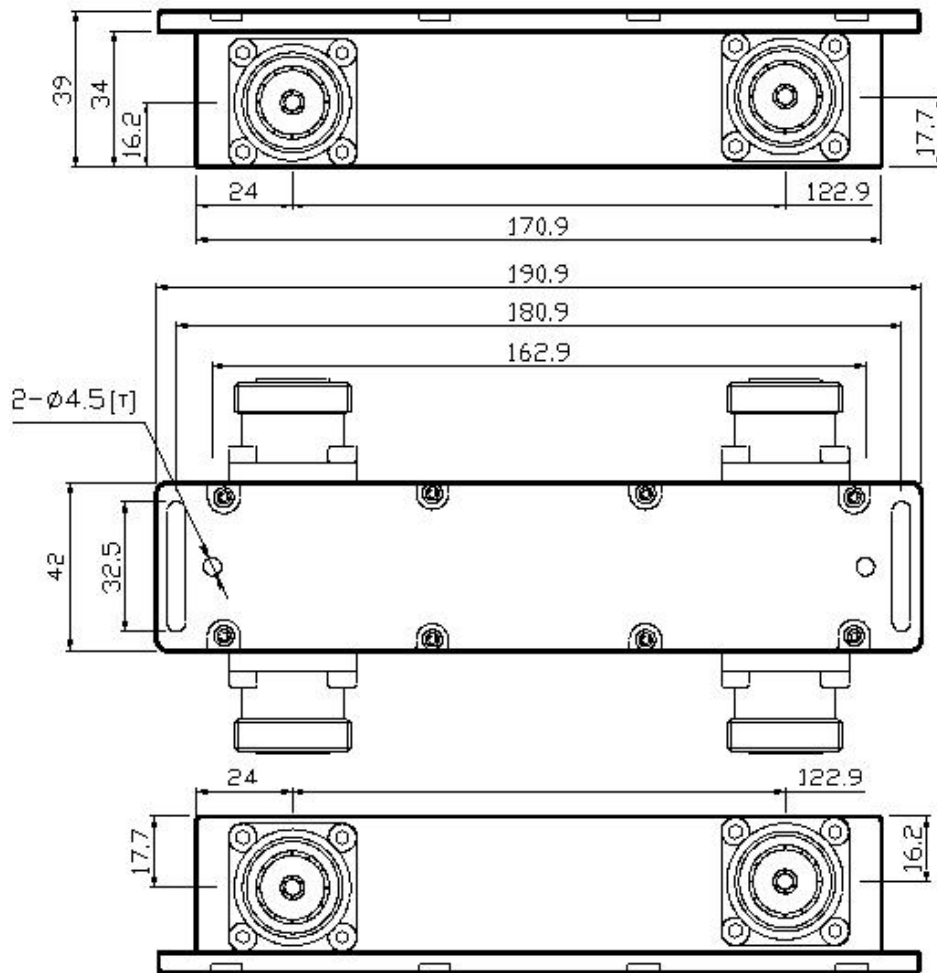


About EMTS Telecom Services Ltd.:

EMTS Telecom Services is a leading supplier of high-quality RF coverage solutions designed to maximize wireless network coverage in difficult RF environments and complex settings. The company specializes in extending RF radio coverage to rural areas, office buildings, subways, tunnels and shadowed areas. The EMTS coverage solution supports all major mobile technologies and standards of wireless Networks.

All rights reserved

Outline Drawing



EMTS Telecom Services Ltd. offers a comprehensive portfolio of enhanced coverage solutions for the Wireless Networks, Based on advanced technologies. **EMTS** proven, indoor and outdoor solutions solve a wide range of network challenges including interference and oscillation problems, challenging coverage holes, rapid response deployment and inadequate in-building coverage. Regardless of the technology or frequency, **EMTS** can provide customized coverage solutions that address any combination of unique and complex network needs for the Wireless Networks.